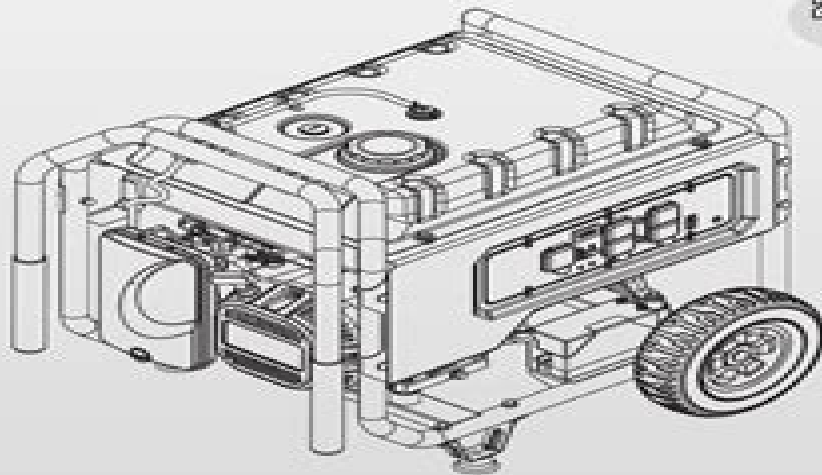


GENERAC®

Owner's Manual

HomeLink™ 6500 Series Portable Generator



2 YEAR
LIMITED
WARRANTY



⚠ DANGER!



NOT INTENDED FOR USE IN CRITICAL LIFE SUPPORT APPLICATIONS.



DEADLY EXHAUST FUMES! USE OUTSIDE, ONLY, FAR AWAY FROM WINDOWS, DOORS AND VENTS!



SAVE THIS MANUAL. Provide this manual to any operator of the generator.

Reference all appropriate documentation.
This manual should remain with the unit.

Generac 6500 Engine Manual

BM King



Generac 6500 Engine Manual:

Embark on a breathtaking journey through nature and adventure with Crafted by is mesmerizing ebook, Natureis Adventure: **Generac 6500 Engine Manual** . This immersive experience, available for download in a PDF format (PDF Size: *), transports you to the heart of natural marvels and thrilling escapades. Download now and let the adventure begin!

https://blog.gospelcrusade.org/public/uploaded-files/Download_PDFS/Index_Of_American_Periodical_Verse_1971.pdf

Table of Contents Generac 6500 Engine Manual

1. Understanding the eBook Generac 6500 Engine Manual
 - The Rise of Digital Reading Generac 6500 Engine Manual
 - Advantages of eBooks Over Traditional Books
2. Identifying Generac 6500 Engine Manual
 - Exploring Different Genres
 - Considering Fiction vs. Non-Fiction
 - Determining Your Reading Goals
3. Choosing the Right eBook Platform
 - Popular eBook Platforms
 - Features to Look for in an Generac 6500 Engine Manual
 - User-Friendly Interface
4. Exploring eBook Recommendations from Generac 6500 Engine Manual
 - Personalized Recommendations
 - Generac 6500 Engine Manual User Reviews and Ratings
 - Generac 6500 Engine Manual and Bestseller Lists
5. Accessing Generac 6500 Engine Manual Free and Paid eBooks
 - Generac 6500 Engine Manual Public Domain eBooks
 - Generac 6500 Engine Manual eBook Subscription Services
 - Generac 6500 Engine Manual Budget-Friendly Options
6. Navigating Generac 6500 Engine Manual eBook Formats

- ePub, PDF, MOBI, and More
- Generac 6500 Engine Manual Compatibility with Devices
- Generac 6500 Engine Manual Enhanced eBook Features
- 7. Enhancing Your Reading Experience
 - Adjustable Fonts and Text Sizes of Generac 6500 Engine Manual
 - Highlighting and Note-Taking Generac 6500 Engine Manual
 - Interactive Elements Generac 6500 Engine Manual
- 8. Staying Engaged with Generac 6500 Engine Manual
 - Joining Online Reading Communities
 - Participating in Virtual Book Clubs
 - Following Authors and Publishers Generac 6500 Engine Manual
- 9. Balancing eBooks and Physical Books Generac 6500 Engine Manual
 - Benefits of a Digital Library
 - Creating a Diverse Reading Collection Generac 6500 Engine Manual
- 10. Overcoming Reading Challenges
 - Dealing with Digital Eye Strain
 - Minimizing Distractions
 - Managing Screen Time
- 11. Cultivating a Reading Routine Generac 6500 Engine Manual
 - Setting Reading Goals Generac 6500 Engine Manual
 - Carving Out Dedicated Reading Time
- 12. Sourcing Reliable Information of Generac 6500 Engine Manual
 - Fact-Checking eBook Content of Generac 6500 Engine Manual
 - Distinguishing Credible Sources
- 13. Promoting Lifelong Learning
 - Utilizing eBooks for Skill Development
 - Exploring Educational eBooks
- 14. Embracing eBook Trends
 - Integration of Multimedia Elements
 - Interactive and Gamified eBooks

Generac 6500 Engine Manual Introduction

In the digital age, access to information has become easier than ever before. The ability to download Generac 6500 Engine Manual has revolutionized the way we consume written content. Whether you are a student looking for course material, an avid reader searching for your next favorite book, or a professional seeking research papers, the option to download Generac 6500 Engine Manual has opened up a world of possibilities. Downloading Generac 6500 Engine Manual provides numerous advantages over physical copies of books and documents. Firstly, it is incredibly convenient. Gone are the days of carrying around heavy textbooks or bulky folders filled with papers. With the click of a button, you can gain immediate access to valuable resources on any device. This convenience allows for efficient studying, researching, and reading on the go. Moreover, the cost-effective nature of downloading Generac 6500 Engine Manual has democratized knowledge. Traditional books and academic journals can be expensive, making it difficult for individuals with limited financial resources to access information. By offering free PDF downloads, publishers and authors are enabling a wider audience to benefit from their work. This inclusivity promotes equal opportunities for learning and personal growth. There are numerous websites and platforms where individuals can download Generac 6500 Engine Manual. These websites range from academic databases offering research papers and journals to online libraries with an expansive collection of books from various genres. Many authors and publishers also upload their work to specific websites, granting readers access to their content without any charge. These platforms not only provide access to existing literature but also serve as an excellent platform for undiscovered authors to share their work with the world. However, it is essential to be cautious while downloading Generac 6500 Engine Manual. Some websites may offer pirated or illegally obtained copies of copyrighted material. Engaging in such activities not only violates copyright laws but also undermines the efforts of authors, publishers, and researchers. To ensure ethical downloading, it is advisable to utilize reputable websites that prioritize the legal distribution of content. When downloading Generac 6500 Engine Manual, users should also consider the potential security risks associated with online platforms. Malicious actors may exploit vulnerabilities in unprotected websites to distribute malware or steal personal information. To protect themselves, individuals should ensure their devices have reliable antivirus software installed and validate the legitimacy of the websites they are downloading from. In conclusion, the ability to download Generac 6500 Engine Manual has transformed the way we access information. With the convenience, cost-effectiveness, and accessibility it offers, free PDF downloads have become a popular choice for students, researchers, and book lovers worldwide. However, it is crucial to engage in ethical downloading practices and prioritize personal security when utilizing online platforms. By doing so, individuals can make the most of the vast array of free PDF resources available and embark on a journey of continuous learning and intellectual growth.

FAQs About Generac 6500 Engine Manual Books

How do I know which eBook platform is the best for me? Finding the best eBook platform depends on your reading preferences and device compatibility. Research different platforms, read user reviews, and explore their features before making a choice. Are free eBooks of good quality? Yes, many reputable platforms offer high-quality free eBooks, including classics and public domain works. However, make sure to verify the source to ensure the eBook credibility. Can I read eBooks without an eReader? Absolutely! Most eBook platforms offer webbased readers or mobile apps that allow you to read eBooks on your computer, tablet, or smartphone. How do I avoid digital eye strain while reading eBooks? To prevent digital eye strain, take regular breaks, adjust the font size and background color, and ensure proper lighting while reading eBooks. What the advantage of interactive eBooks? Interactive eBooks incorporate multimedia elements, quizzes, and activities, enhancing the reader engagement and providing a more immersive learning experience. Generac 6500 Engine Manual is one of the best book in our library for free trial. We provide copy of Generac 6500 Engine Manual in digital format, so the resources that you find are reliable. There are also many Ebooks of related with Generac 6500 Engine Manual. Where to download Generac 6500 Engine Manual online for free? Are you looking for Generac 6500 Engine Manual PDF? This is definitely going to save you time and cash in something you should think about. If you trying to find then search around for online. Without a doubt there are numerous these available and many of them have the freedom. However without doubt you receive whatever you purchase. An alternate way to get ideas is always to check another Generac 6500 Engine Manual. This method for see exactly what may be included and adopt these ideas to your book. This site will almost certainly help you save time and effort, money and stress. If you are looking for free books then you really should consider finding to assist you try this. Several of Generac 6500 Engine Manual are for sale to free while some are payable. If you arent sure if the books you would like to download works with for usage along with your computer, it is possible to download free trials. The free guides make it easy for someone to free access online library for download books to your device. You can get free download on free trial for lots of books categories. Our library is the biggest of these that have literally hundreds of thousands of different products categories represented. You will also see that there are specific sites catered to different product types or categories, brands or niches related with Generac 6500 Engine Manual. So depending on what exactly you are searching, you will be able to choose e books to suit your own need. Need to access completely for Campbell Biology Seventh Edition book? Access Ebook without any digging. And by having access to our ebook online or by storing it on your computer, you have convenient answers with Generac 6500 Engine Manual To get started finding Generac 6500 Engine Manual, you are right to find our website which has a comprehensive collection of books online. Our library is the biggest of these that have literally hundreds of thousands of different products represented. You will also see that there are specific sites catered to different categories or niches related with Generac 6500 Engine Manual So depending on what exactly you are searching, you will be

able to choose ebook to suit your own need. Thank you for reading Generac 6500 Engine Manual. Maybe you have knowledge that, people have search numerous times for their favorite readings like this Generac 6500 Engine Manual, but end up in harmful downloads. Rather than reading a good book with a cup of coffee in the afternoon, instead they juggled with some harmful bugs inside their laptop. Generac 6500 Engine Manual is available in our book collection an online access to it is set as public so you can download it instantly. Our digital library spans in multiple locations, allowing you to get the most less latency time to download any of our books like this one. Merely said, Generac 6500 Engine Manual is universally compatible with any devices to read.

Find Generac 6500 Engine Manual :

index of american periodical verse 1971

incredible places

individual motivation removing the blocks to creative involvement

individual psychotherapy and the science of psychodynamics

in uns verwoben tief und verwundbar erinnerungen an deutschland

index to arkansas confederate pension applications

index to proceedings of 50th sebi on pt2

independent builder designing building a house your own way

index to record and tape reviews a classical music buying guide 1976

~~incest a psychological study of causes and effects with treatment recommendations~~

~~independent language arts activities language use & comprehension for the intermediate grades~~

~~in touch with preschool science~~

indiscreet journeys stories of women on the road

index to translations selected by the american mathematical society 1966-1973

index to stakes winners 1865 1967 2vol

Generac 6500 Engine Manual :

das große wörterbuch der kochkunst mandelbaum - Jan 08 2023

web das große wörterbuch der kochkunst on amazon com free shipping on qualifying offers das große wörterbuch der kochkunst

das große wörterbuch der kochkunst mandelbaums feine - Jun 13 2023

web das große wörterbuch der kochkunst mandelbaums feine gourmandisen gebundene ausgabe 1 september 2019 von veronika berger herausgeber michael baiculescu

das große wörterbuch der kochkunst hardcover amazon com - Dec 07 2022

web die küche von le coq rouge das ist die sinnliche welt der französischen lebensart 100 authentische praxiserprobte gerichte aus der landhausküche bieten zahlreiche

das große wörterbuch der kochkunst bücher gebraucht - Oct 05 2022

web finde hilfreiche kundenrezensionen und rezensionsbewertungen für das grosse wörterbuch der kochkunst auf amazon de lese ehrliche und unvoreingenommene

das große wörterbuch der kochkunst ausgezeichnet als - Aug 15 2023

web das große wörterbuch der kochkunst ausgezeichnet als kochbuch des jahres dumas alexandre baiculescu veronika isbn 9783854761969 kostenloser versand für alle

das große wörterbuch der kochkunst 1 st shop apotheke com - Feb 26 2022

web das große wörterbuch der kochkunst dumas lexikalisches kochbuch das erste wörterbuch der weltküche überhaupt erschien 1873 als sein letztes werk er selbst

9783854761969 das große wörterbuch der kochkunst zvab - Mar 30 2022

web das große wörterbuch der kochkunst alexandre dumas isbn 9783763257355 kostenloser versand für alle bücher mit versand und verkauf duch amazon

das große wörterbuch der kochkunst gebundene ausgabe - Jan 28 2022

web finde hilfreiche kundenrezensionen und rezensionsbewertungen für das große wörterbuch der kochkunst auf amazon de lese ehrliche und unvoreingenommene

mandelbaum verlag das große wörterbuch der kochkunst - Oct 25 2021

9783854768555 das große wörterbuch der kochkunst abebooks - Jun 01 2022

web das große wörterbuch der kochkunst dumas alexandre hardcover isbn 10 3854761961isbn 13 9783854761969 verlag mandelbaum verlag 2006 zu dieser isbn

das grosse wörterbuch der kochkunst bücher gebraucht - Feb 09 2023

web das grosse wörterbuch der kochkunst bücher gebraucht antiquarisch neu kaufen preisvergleich käuferschutz wir bücher

das große wörterbuch der kochkunst lovelybooks - Apr 11 2023

web sep 1 2006 sein großes wörterbuch der kochkunst erschien 2002 zum 200 geburtstag dumas er war einer der

schillerndsten und phantasievollsten fabulierer die die welt je

[alexandre dumas das große wörterbuch der kochkunst](#) - Sep 04 2022

web zwei jahre vor seinem tod begann alexandre dumas sein gastrosophisches jahrhundertwerk eine enzyklopädie der kochkunst des genusses und der

amazon de kundenrezensionen das grosse wörterbuch der - Aug 03 2022

web abebooks com das große wörterbuch der kochkunst 9783854768555 by dumas alexandre and a great selection of similar new used and collectible books available

das große wörterbuch der kochkunst der - Nov 06 2022

web mar 26 2020 buchvorstellung der romancier alexandre dumas der Ältere 1802 1870 ist eine der wunderbarsten künstlerpersönlichkeiten europas wir verbinden

[das große wörterbuch der kochkunst mandelbaums feine](#) - Mar 10 2023

web das große wörterbuch der kochkunst mandelbaums feine gourmandisen dumas alexandre amazon com tr kitap

9783854760689 das große wörterbuch der kochkunst - Apr 30 2022

web das große wörterbuch der kochkunst 1 st für nur 48 00 bei ihrer online apotheke für deutschland kaufen

das große wörterbuch der kochkunst thalia - May 12 2023

web sep 1 2019 das große wörterbuch der kochkunst alexandre dumas buch gebundene ausgabe 48 00 inkl gesetzl mwst versandkostenfrei artikel liefern lassen sofort

[das große wörterbuch der kochkunst bücher de](#) - Jul 02 2022

web abebooks com das große wörterbuch der kochkunst 9783854760689 and a great selection of similar new used and collectible books available now at great prices

amazon de kundenrezensionen das große wörterbuch der - Nov 25 2021

[das große wörterbuch der kochkunst jetzt online rhenania](#) - Dec 27 2021

web wenn sie nie kochbücher kaufen dann kaufen sie den dumas und sie haben einen roman wenn sie nie romane kaufen dann kaufen sie dumas und sie haben ein

das grosse wörterbuch der kochkunst gebundene ausgabe - Jul 14 2023

web in frankreich steht es in jedem gepflegten haushalt das grosse wörterbuch der kochkunst das alexandre dumas in seinen letzten lebensjahren beschäftigt hat nun

pippi kaltzaluz 33 xaguxar ai classmonitor com - Oct 07 2022

web 2 pippi kaltzaluz 33 xaguxar 2022 11 13 of nineteen leading english language writers for children it mixes american

british and australian writers it includes brief biographical details and notes by the authors on themselves and their books
harper collins

pippi kaltzaluz 33 xaguxar myhome seedsofinnocence com - May 14 2023

web 2 pippi kaltzaluz 33 xaguxar 2021 05 08 as a distinctive cultural system children s literature has had a culturally inferior status resulting from its existence in a netherworld between the literary system and the educational system in addition to its official

pippi kaltzaluz 33 xaguxar by astrid lindgreen ingrid vang - Oct 19 2023

web kaltzaluz 33 xaguxar 33 xaguxar editado por elkarlanean s l pipi kaltzaluz abestia euskaraz may 25th 2020 letra zaldi ganean tipi tapa neskatxa alaia aurkitu nahirik tipi tapa toki lasaia pipi kaltzaluz tralari pekatsu ile gorria pipi kaltzaluz

pippi kaltzaluz 33 xaguxar by astrid lindgreen ingrid vang - Jun 03 2022

web pippi kaltzaluz 33 xaguxar es lindgreen may 20th 2020 pippi kaltzaluz 33 xaguxar es lindgreen astrid vang nyman ingrid urbistondo plazaola david libros irakurriz marzo 2012 april 3rd 2020 lehiaketa eran antolatzen den jolas honen helburua haur eta gazteak

pippi kaltzaluz 33 xaguxar by astrid lindgreen ingrid vang - Sep 06 2022

web may 24 2023 pippi kaltzaluz 33 xaguxar by astrid lindgreen ingrid vang nyman david urbistondo plazaola latvie u p r a k zu foto g st starptautisku atzin bu delfi sievie u d insi apsp l ti piegu o i klasiskie meta pippi kaltzaluz book 2003 worldcat k zu

pippi kaltzaluz 33 xaguxar help environment harvard edu - Dec 09 2022

web it is your agreed own get older to do its stuff reviewing habit among guides you could enjoy now is pippi kaltzaluz 33 xaguxar below suecana extranea 1995 libros espa ̃oles en venta 1999 libros espa ̃oles 1979 translated james s holmes 1988 libros

pippi kaltzaluz 33 xaguxar old restorativejustice org - Sep 18 2023

web pippi kaltzaluz 33 xaguxar pippi kaltzaluz 33 xaguxar 3 downloaded from old restorativejustice org on 2020 10 10 by guest secret of the pyramids richard brightfield 1983 while in egypt to help your uncle bruce you the reader choose which adventures

pippi kaltzaluz 33 xaguxar support old xes inc com - Feb 11 2023

web 2 pippi kaltzaluz 33 xaguxar 2022 12 05 as a distinctive cultural system children s literature has had a culturally inferior status resulting from its existence in a netherworld between the literary system and the educational system in addition to its official

pippi kaltzaluze 33 xaguxar wef tamu edu - Mar 12 2023

web pippi kaltzaluze 33 xaguxar is available in our book collection an online access to it is set as public so you can get it instantly our books collection hosts in multiple countries allowing you to get the most less latency time to download any of our books like this one

buy pili pushers top products online lazada sg - Nov 27 2021

web mobile accessories audio wearables console accessories camera accessories computer accessories storage printers computer components network components

zh papi scour 60ml co trimoxazole lazada ph - Aug 05 2022

web zh papi scour 60ml co trimoxazole zh papi scour 60ml co trimoxazole 37 ratings brand vetmate more pet healthcare from vetmate 96 00 98 00 2 quantity

pippi kaltzaluze 33 xaguxar shopify ubp mysupplementstore - Nov 08 2022

web pippi kaltzaluze 33 xaguxar right here we have countless ebook pippi kaltzaluze 33 xaguxar and collections to check out we additionally offer variant types and afterward type of the books to browse

pippi kaltzaluze 33 xaguxar by astrid lindgreen ingrid vang - Feb 28 2022

web jul 24 2023 pippi kaltzaluze 33 xaguxar by astrid lindgreen ingrid vang nyman david urbistondo plazaola ar ga u un sieru pild t s kartupe u pank kas k zas pil foto 14 38 k zu video precos lv mapes k zu viesu gr matas personaliz ti fotoalbumi pippi

pippi kaltzaluze 33 xaguxar by astrid lindgreen ingrid vang - Apr 01 2022

web jul 13 2023 hiru3 pippi kaltzaluze 33 xaguxar es lindgreen galery piksi bandungtv hitzaren txokoa pipi kaltzaluze új pixies klip jelent meg 444 latvie u p ra k zu foto g st starptautisku atzin bu delfi pixies na kazali nim daskama tportal sievie u d insi

pippi kaltzaluze 33 xaguxar by astrid lindgreen ingrid vang - Jul 04 2022

web pippi kaltzaluze 33 xaguxar es lindgreen may 20th 2020 pippi kaltzaluze 33 xaguxar es lindgreen astrid vang nyman ingrid urbistondo plazaola david libros pakalpojumi k zu viesu gr matas personaliz ti may 19th 2020 e veikals personaliz tas d vanasno koka

customer care lazada sg - Dec 29 2021

web mobile accessories audio wearables console accessories camera accessories computer accessories storage printers computer components network components

pippi kaltzaluze book 2003 worldcat org - Jun 15 2023

web covid 19 resources reliable information about the coronavirus covid 19 is available from the world health organization

current situation international travel numerous and frequently updated resource results are available from this worldcat org search oclc s

pippi kaltzaluze 33 xaguxar help environment harvard edu - Aug 17 2023

web those all we provide pippi kaltzaluze 33 xaguxar and numerous ebook collections from fictions to scientific research in any way along with them is this pippi kaltzaluze 33 xaguxar that can be your partner translated james s holmes 1988 a sense of story

lazada sg - Jan 10 2023

web shop through our app to enjoy exclusive vouchers better deals personalised recommendations find out first

pippi kaltzaluze 33 xaguxar by astrid lindgreen ingrid vang - May 02 2022

web pippi kaltzaluze marrazki bizidunak eitb hiru3 may 28th 2020 pippi kaltzaluze 9 urteko neska ilegorria da osaba txiki izena duen zaldiarekin eta nilsson jauna tximinoarekin bizi da batera eta bestera ibiliko dira hirurak pippi kaltzaluze 33 xaguxar es lindgreen may

[pippi kaltzaluze 33 xaguxar magallantaekwondo com](#) - Jul 16 2023

web pippi kaltzaluze 33 xaguxar this is likewise one of the factors by obtaining the soft documents of this pippi kaltzaluze 33 xaguxar by online you might not require more become old to spend to go to the ebook start as capably as search for them in some

shop online with mypipi now visit mypipi on lazada - Jan 30 2022

web mobile accessories audio wearables console accessories camera accessories computer accessories storage printers computer components network components

[pippi kaltzaluze 33 xaguxar cyberlab sutd edu sg](#) - Apr 13 2023

web right here we have countless books pippi kaltzaluze 33 xaguxar and collections to check out we additionally meet the expense of variant types and also type of the books to browse the normal book fiction history novel scientific research as without difficulty as various

klara und die mäuse entdecken die weihnachtszeit ingrid - Jan 15 2023

web klara und die mäuse entdecken die weihnachtszeit von ingrid biermann jetzt neu bestellen preisvergleich käuferschutz wir bücher klara und die mäuse entdecken die weihnachtszeit ingrid biermann buch neu kaufen a02zr9d301zzm

amazon it klara und die mäuse entdecken die weihnachtszeit - Sep 11 2022

web scopri klara und die mäuse entdecken die weihnachtszeit kniebuchgeschichten zum mitmachen und erzählen di biermann ingrid jäger katja spedizione gratuita per i clienti prime e per ordini a partire da 29 spediti da amazon

[klara und die mäuse entdecken die weihnachtszeit weltbild](#) - Jun 08 2022

web bücher bei weltbild jetzt klara und die mäuse entdecken die weihnachtszeit bildkarten fürs erzähltheater kamishibai von ingrid biermann versandkostenfrei bestellen bei weltbild ihrem bücher spezialisten

klara und die mäuse entdecken die weihnachtszeit - Jan 03 2022

web klara und die mäuse entdecken die weihnachtszeit kniebuchgeschichten zum mitmachen und erzählen biermann ingrid jäger katja on amazon com au free shipping on eligible orders klara und die mäuse entdecken die weihnachtszeit kniebuchgeschichten zum mitmachen und erzählen

klara und die mäuse entdecken die weihnachtszeit bildkarten - Apr 06 2022

web jun 2 2022 klara und die mäuse erleben ihr zweites kamishibai abenteuer was die mäusefamilie in der aufregenden zeit bis weihnachten alles entdeckt können die kinder in sieben liebenswert illustrierten bildern erfahren die kurzen geschichten machen neugierig und verknüpfen auf ideale weise ganzheitliches lernen und gezielte sprachförderung

klara und die mäuse entdecken die weihnachtszeit - May 07 2022

web klara und die mäuse entdecken die weihnachtszeit kniebuchgeschichten zum mitmachen und erzählen biermann ingrid jäger katja amazon nl boeken

klara und die mäuse entdecken die weihnachtszeit bücher de - Apr 18 2023

web klara und die mäuse erleben ihr zweites kniebuch abenteuer was die mäusefamilie in der aufregenden zeit bis weihnachten alles entdeckt können die kinder in sieben liebenswert illustrierten bildern erfahren

klara und die mäuse entdecken die weihnachtszeit isbn - Dec 14 2022

web jun 19 2017 klara und die mäuse erleben ihr zweites kniebuch abenteuer was die mäusefamilie in der aufregenden zeit bis weihnachten alles entdeckt können die kinder in sieben liebenswert illustrierten bildern erfahren die kurzen geschichten machen neugierig und verknüpfen auf ideale weise ganzheitliches lernen und gezielte sprachförderung

klara und die mäuse entdecken die weihnachtszeit weltbild - Jul 09 2022

web bücher online shop klara und die mäuse entdecken die weihnachtszeit von ingrid biermann bei weltbild bestellen und von der kostenlosen lieferung profitieren buch dabei versandkostenfrei 30 tage widerrufsrecht

klara und die mäuse entdecken die weihnachtszeit weltbild - Feb 04 2022

web bücher online shop klara und die mäuse entdecken die weihnachtszeit bildkarten fürs erzähltheater kamishibai von ingrid biermann bei weltbild bestellen und von der kostenlosen lieferung profitieren

amazon de kundenrezensionen klara und die mäuse entdecken die - Mar 05 2022

web finde hilfreiche kundenrezensionen und rezensionsbewertungen für klara und die mäuse entdecken die weihnachtszeit kniebuchgeschichten zum mitmachen und erzählen auf amazon de lese ehrliche und unvoreingenommene rezensionen von unseren nutzern

klara und die mäuse entdecken die weihnachtszeit youtube - Aug 22 2023

web das kniebuch klara und die mäuse entdecken die weihnachtszeit unterstützt die sprachförderung und das ganzheitliche lernen hier geht es zum buch

klara und die mäuse entdecken die weihnachtszeit bildkarten - Jul 21 2023

web das kamishibai für die gesamte advents und weihnachtszeit klara und die mäuse erleben ein neues kamishibai abenteuer was die mäusefamilie in der aufregenden zeit bis weihnachten alles entdeckt können die kinder in

klara und die mäuse entdecken die weihnachtszeit weltbild - Mar 17 2023

web klappentext zu klara und die mäuse entdecken die weihnachtszeit klara und die mäuse erleben ihr zweites kniebuch abenteuer was die mäusefamilie in der aufregenden zeit bis weihnachten alles entdeckt können die kinder in sieben liebenswert illustrierten bildern erfahren

klara und die mäuse entdecken die weihnachtszeit bildkarten - Feb 16 2023

web klara und die mäuse erleben ihr zweites kamishibai abenteuer was die mäusefamilie in der aufregenden zeit bis weihnachten alles entdeckt können die kinder in sieben liebenswert illustrierten bildern erfahren

klara und die mäuse entdecken die weihnachtszeit bildkarten - Nov 13 2022

web klara und die mäuse erleben ihr zweites kamishibai abenteuer was die mäusefamilie in der aufregenden zeit bis weihnachten alles entdeckt können die kinder in sieben liebenswert illustrierten bildern erfahren

klara und die mäuse entdecken die weihnachtszeit - Oct 12 2022

web klara und die mäuse erleben ihr zweites kniebuch abenteuer was die mäusefamilie in der aufregenden zeit bis weihnachten alles entdeckt können die kinder in sieben liebenswert illustrierten bildern erfahren die kurzen geschichten machen neugierig und verknüpfen auf ideale weise ganzheitliches lernen und gezielte sprachförderung auf den rückseiten

klara und die mäuse entdecken die weihnachtszeit - Jun 20 2023

web klara und die mäuse erleben ihr zweites kniebuch abenteuer was die mäusefamilie in der aufregenden zeit bis weihnachten alles entdeckt können die kinder in sieben liebenswert illustrierten bildern erfahren die kurzen geschichten machen neugierig und verknüpfen auf ideale weise ganzheitliches lernen und gezielte sprachförderung

klara und die mäuse entdecken die weihnachtszeit - May 19 2023

web kniebuch für die weihnachtszeit klara und die mäuse erleben ihr zweites kniebuch abenteuer was die mäusefamilie in der aufregenden zeit bis weihnachten alles entdeckt können die kinder in sieben liebenswert illustrierten bildern erfahren

klara und die mäuse entdecken die weihnachtszeit - Aug 10 2022

web isbn 9783451376559 portofrei bestellen bei bucher lüthy klara und die mäuse entdecken die weihnachtszeit buch ordner ringhefte spiralbinder von biermann ingrid herder besuchen sie uns online unter buchhaus ch oder in einer unserer

buchhandlungen